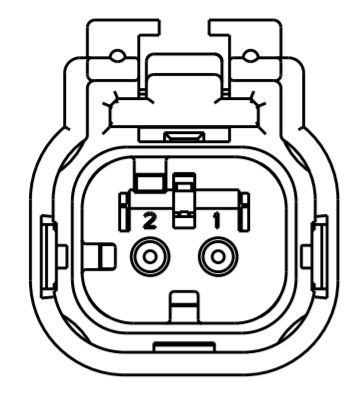
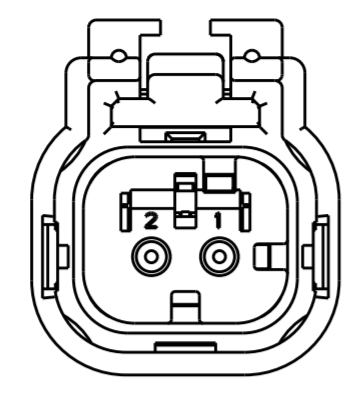


THIS DRAWING IS UNPUBLISHED. RELEASED FOR PUBLICATION 20  
 © COPYRIGHT 20 BY - ALL RIGHTS RESERVED.

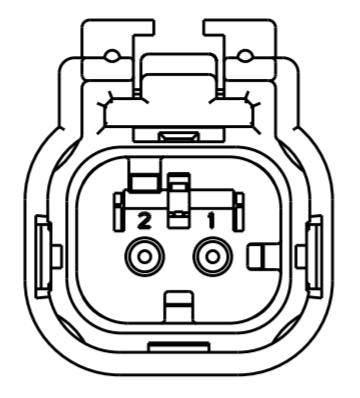
| REVISIONS |     |                           |           |       |
|-----------|-----|---------------------------|-----------|-------|
| P         | LTR | DESCRIPTION               | DATE      | APVD  |
| E         |     | REVISED PER ECO-13-019067 | 05DEC2013 | DR RB |
|           |     |                           |           |       |
|           |     |                           |           |       |



776522-2  
SCALE 2:1  
KEY B

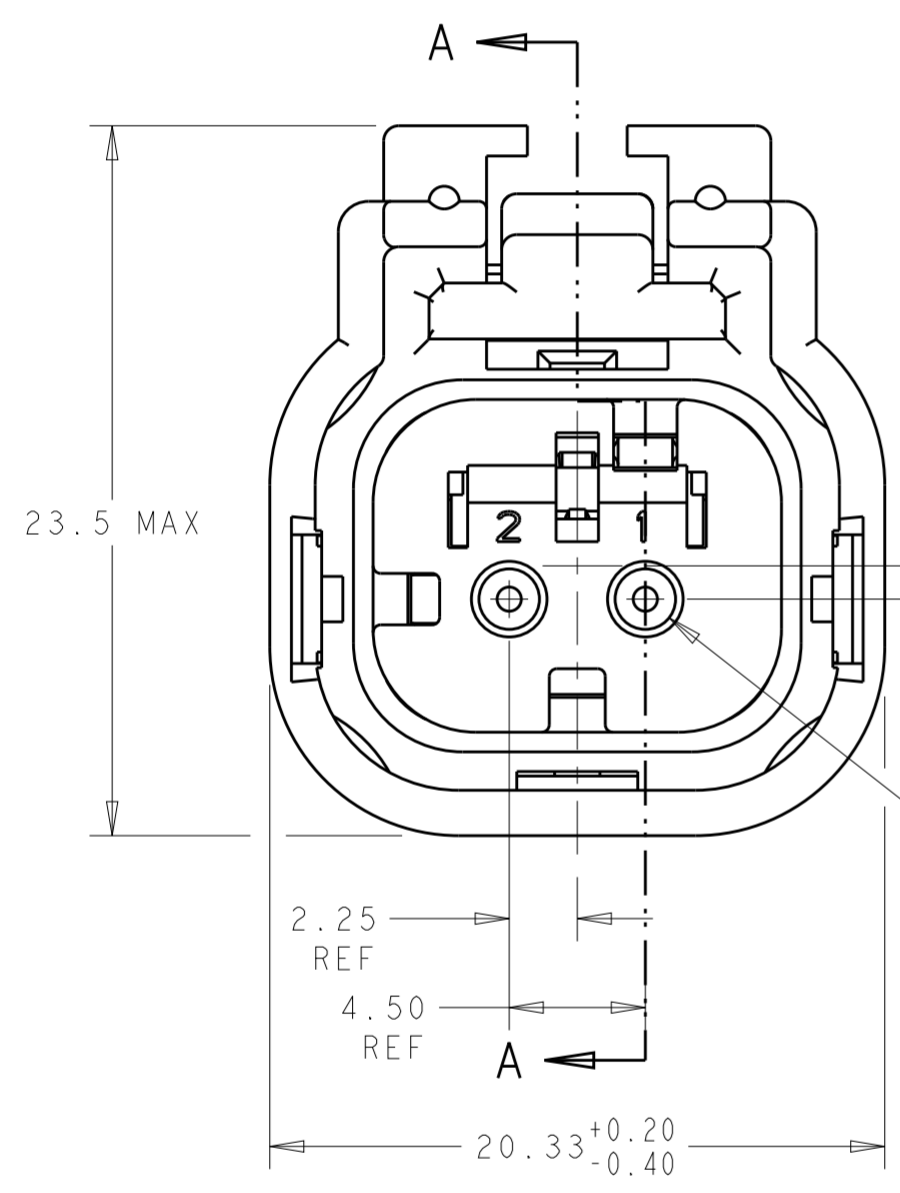


776522-3  
SCALE 2:1  
KEY C

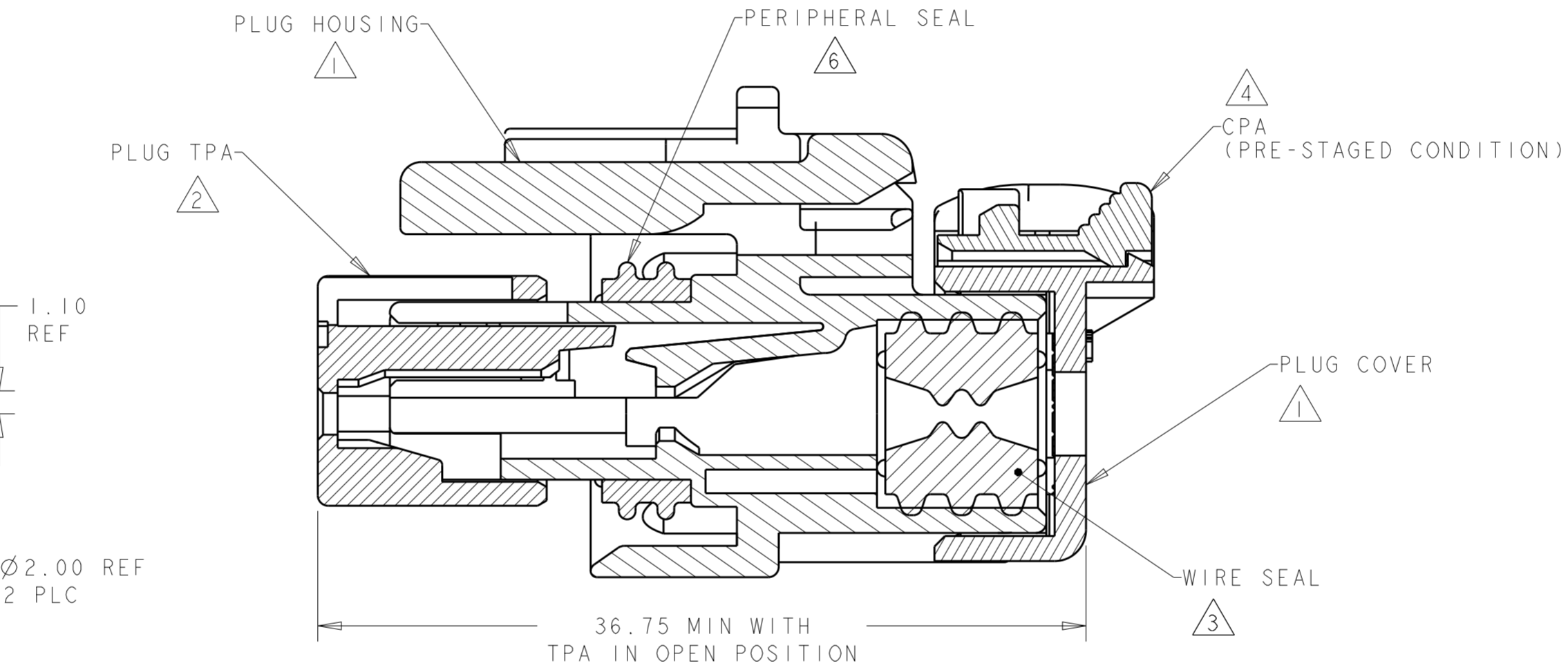


776522-4  
SCALE 2:1  
KEY D

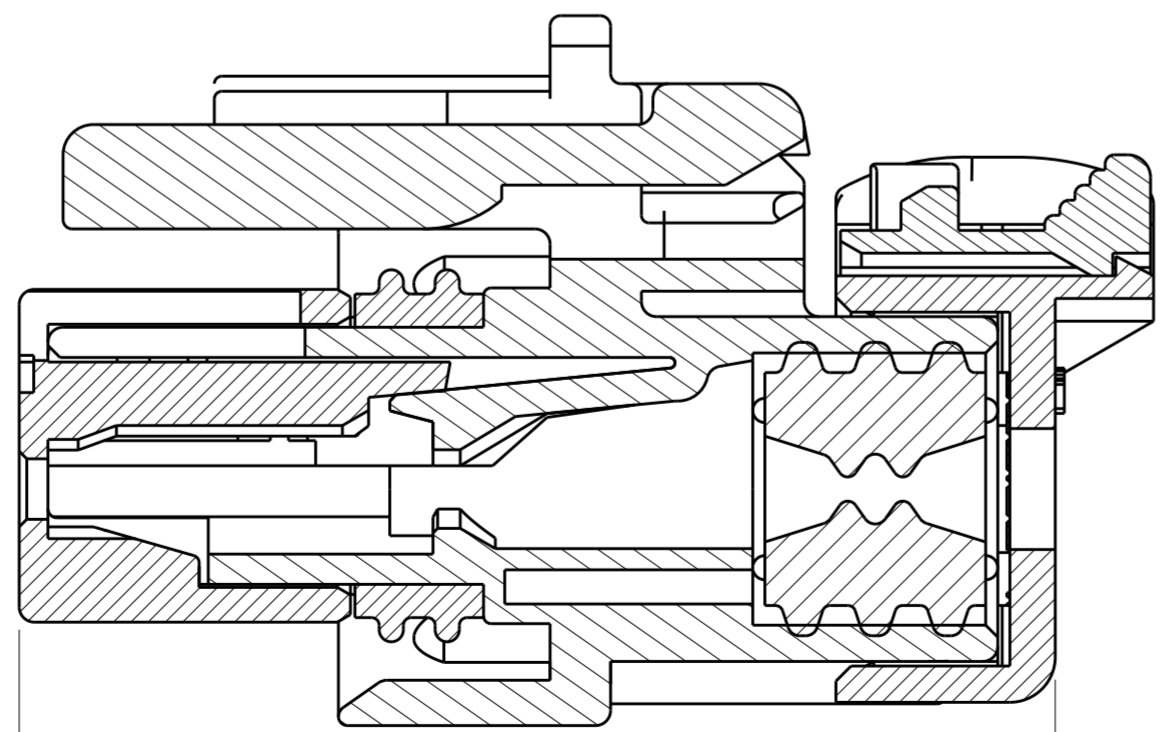
- 1 MATERIAL: 15% GLASS FILLED THERMOPLASTIC  
COLOR: BLACK
- 2 MATERIAL: 15% GLASS FILLED THERMOPLASTIC  
COLOR: (SEE TABLE)
- 3 MATERIAL: SILICONE  
COLOR: LIGHT GRAY
- 4 MATERIAL: 15% GLASS FILLED THERMOPLASTIC  
COLOR: RED
- 5. RECOMMENDED WIRE DIAMETER RANGE IS 1.30 TO 2.54mm.
- 6 MATERIAL: SILICONE  
COLOR: BLUE



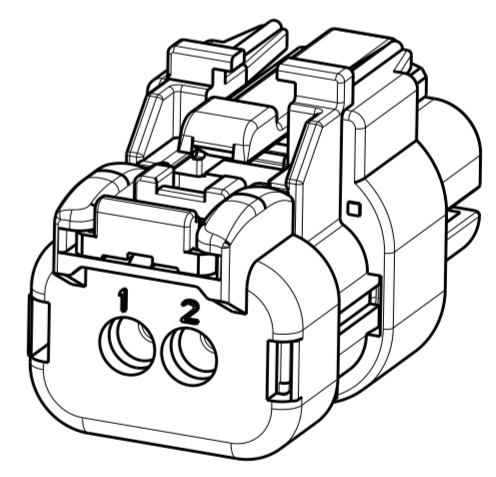
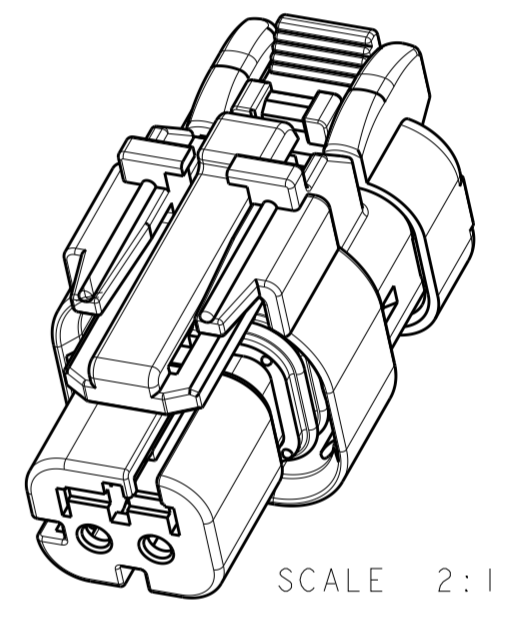
776522-1 SHOWN  
KEY A



SECTION A-A



SECTION A-A



|     |           |             |
|-----|-----------|-------------|
| D   | GREEN     | 776522-4    |
| C   | YELLOW    | 776522-3    |
| B   | GRAY      | 776522-2    |
| A   | RED       | 776522-1    |
| KEY | TPA COLOR | PART NUMBER |

|  |   |                               |   |       |   |       |   |       |   |       |   |        |   |        |   |                          |                        |  |
|--|---|-------------------------------|---|-------|---|-------|---|-------|---|-------|---|--------|---|--------|---|--------------------------|------------------------|--|
| THIS DRAWING IS A CONTROLLED DOCUMENT.   |   | DWN<br>AJ GRAFF 22FEB00       | TE Connectivity   |       |   |       |   |       |   |       |   |        |   |        |   |                          |                        |  |
| DIMENSIONS:<br>mm  |   | CHK<br>R GREINER 11DEC01      |   |       |   |       |   |       |   |       |   |        |   |        |   |                          |                        |  |
| TOLERANCES UNLESS OTHERWISE SPECIFIED:   |   | APVD<br>M TRULLI 11DEC01      | NAME<br>PLUG ASSEMBLY,<br>2 POSITION, SINGLE ROW<br>REDUCED DIA WIRE SEAL, AMPSEAL 16 |       |   |       |   |       |   |       |   |        |   |        |   |                          |                        |  |
| <table border="1"> <tr> <td>0 PLC</td> <td>±</td> </tr> <tr> <td>1 PLC</td> <td>±</td> </tr> <tr> <td>2 PLC</td> <td>±</td> </tr> <tr> <td>3 PLC</td> <td>±</td> </tr> <tr> <td>4 PLC</td> <td>±</td> </tr> <tr> <td>ANGLES</td> <td>±</td> </tr> <tr> <td>FINISH</td> <td>-</td> </tr> </table> |   | 0 PLC                         | ±   | 1 PLC | ± | 2 PLC | ± | 3 PLC | ± | 4 PLC | ± | ANGLES | ± | FINISH | - | PRODUCT SPEC<br>108-2184 | SIZE<br>A20779C-776522 |  |
| 0 PLC  | ± |                               |   |       |   |       |   |       |   |       |   |        |   |        |   |                          |                        |  |
| 1 PLC  | ± |                               |   |       |   |       |   |       |   |       |   |        |   |        |   |                          |                        |  |
| 2 PLC  | ± |                               |   |       |   |       |   |       |   |       |   |        |   |        |   |                          |                        |  |
| 3 PLC  | ± |                               |   |       |   |       |   |       |   |       |   |        |   |        |   |                          |                        |  |
| 4 PLC  | ± |                               |   |       |   |       |   |       |   |       |   |        |   |        |   |                          |                        |  |
| ANGLES   | ± |                               |   |       |   |       |   |       |   |       |   |        |   |        |   |                          |                        |  |
| FINISH   | - |                               |   |       |   |       |   |       |   |       |   |        |   |        |   |                          |                        |  |
| MATERIAL   |   | APPLICATION SPEC<br>114-13065 | RESTRICTED TO   |       |   |       |   |       |   |       |   |        |   |        |   |                          |                        |  |
|  |   | WEIGHT<br>8                   | SCALE 4:1 SHEET OF REV E  |       |   |       |   |       |   |       |   |        |   |        |   |                          |                        |  |
|  |   | Customer Drawing              |   |       |   |       |   |       |   |       |   |        |   |        |   |                          |                        |  |